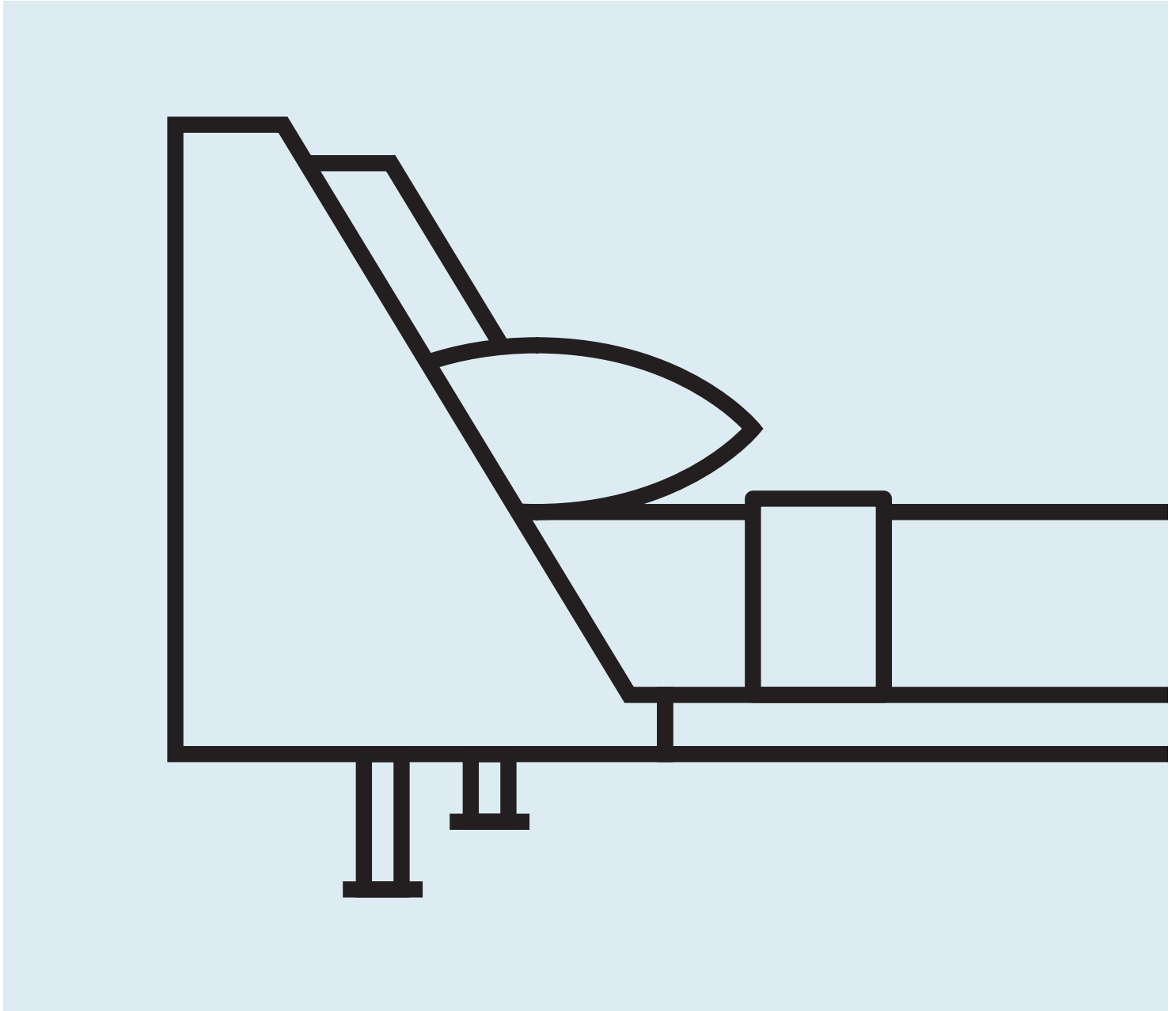


# Nook Bed Collection

DESIGNED IN 2011

ASSEMBLY NOTES | REV 01



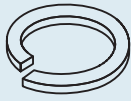
NEED A HAND?

Contact us at [service@bludot.com](mailto:service@bludot.com) or  
**844.425.8368** for assistance.

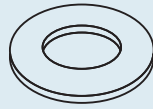
@BLUDOT

We design all our pieces in our Minneapolis studio. Follow  
along on Instagram for some sneak peeks into the process.

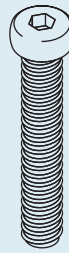
# Parts & Hardware



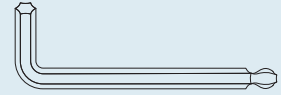
QTY 26  
Pt. 3001



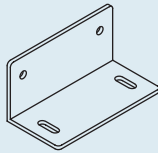
QTY 26  
Pt. 3002



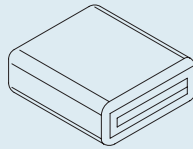
QTY 26  
Pt. 1604



QTY 1  
Pt. 9016



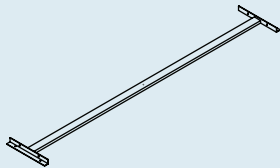
QTY 2  
Corner Bracket



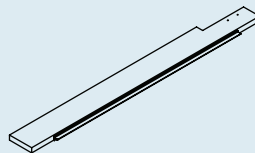
QTY 1\*  
Slip Cover



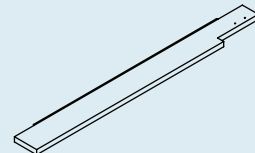
QTY 5  
Leg



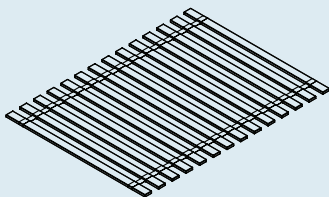
QTY 1  
Center Rail



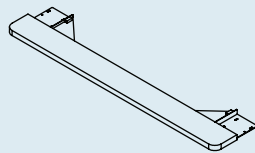
QTY 1  
Left Side Rail



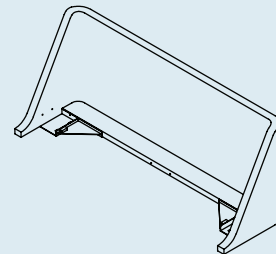
QTY 1  
Right Side Rail



QTY 1  
Slats



QTY 1  
Footboard



QTY 1  
Headboard

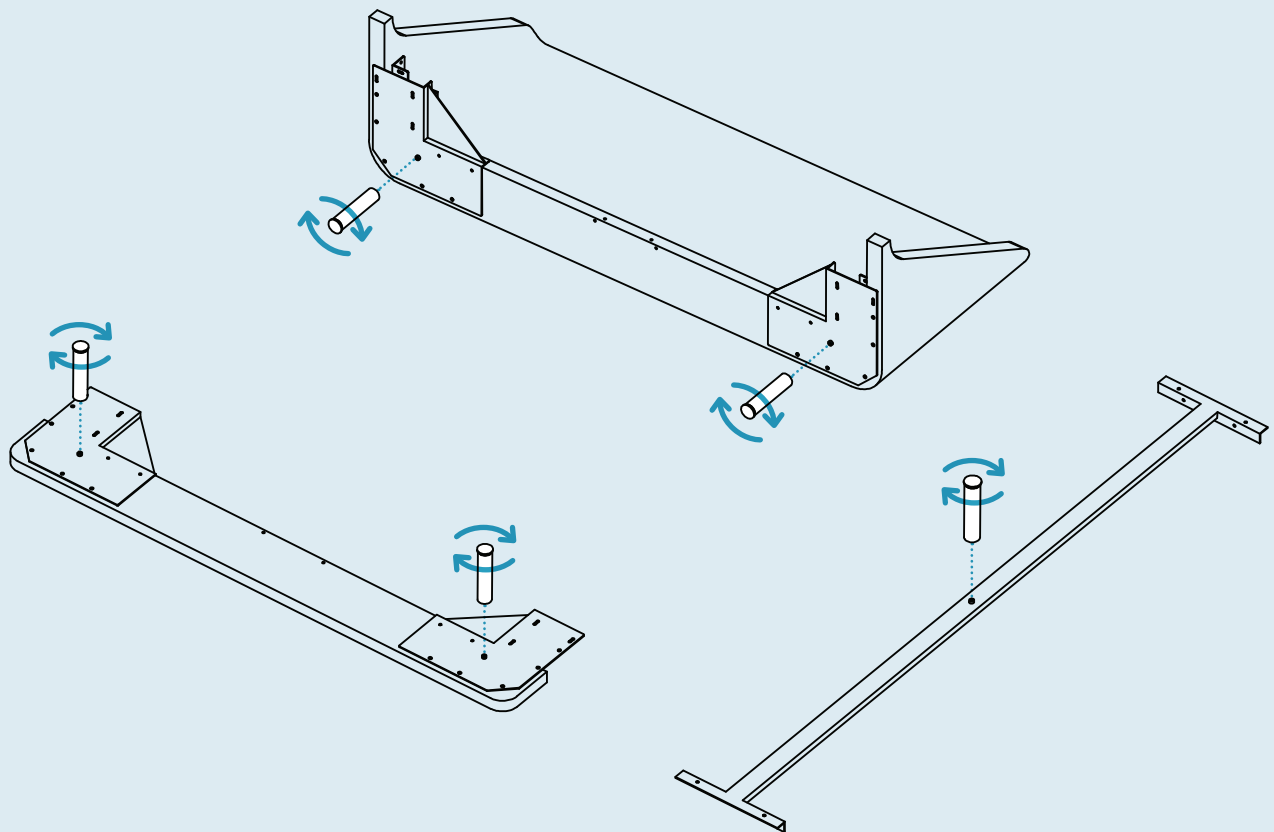
\*Leather versions of this bed do not include a slip cover.

# Step 01

## INSTALL LEGS.

Assemble the bed on a soft, clean surface with the assistance of another individual.

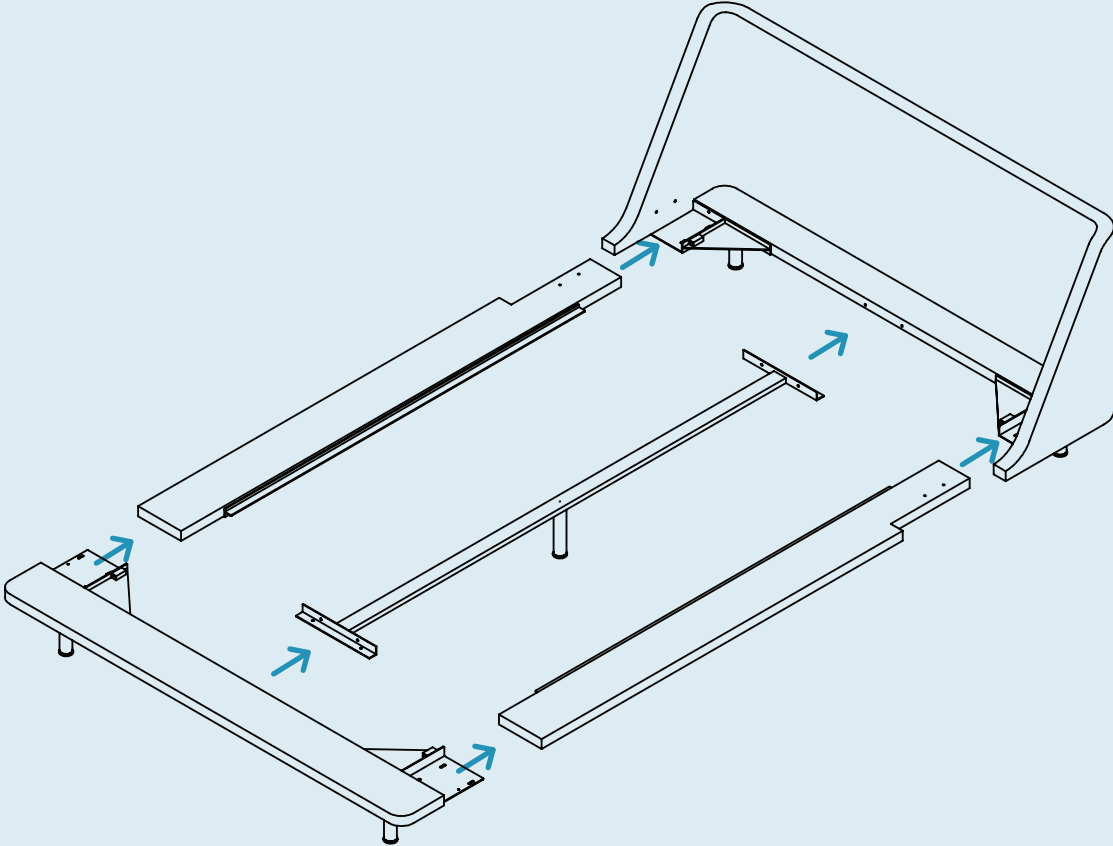
Attach legs to headboard, footboard, and center rail by threading them into place as shown.



# Step 02

ALIGN BED PARTS.

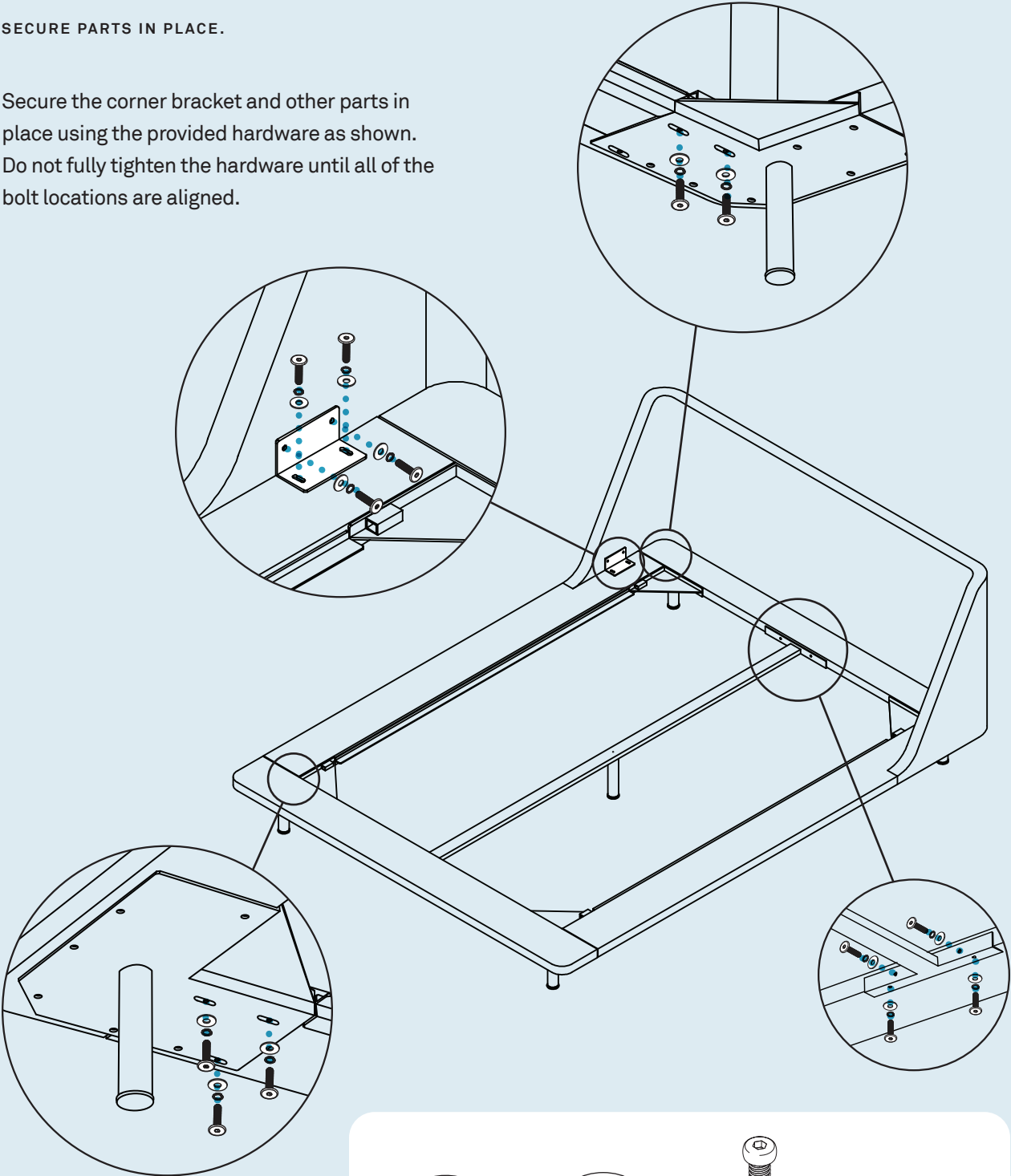
Carefully align parts in place as shown.

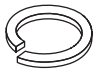





# Step 03

## SECURE PARTS IN PLACE.

Secure the corner bracket and other parts in place using the provided hardware as shown. Do not fully tighten the hardware until all of the bolt locations are aligned.



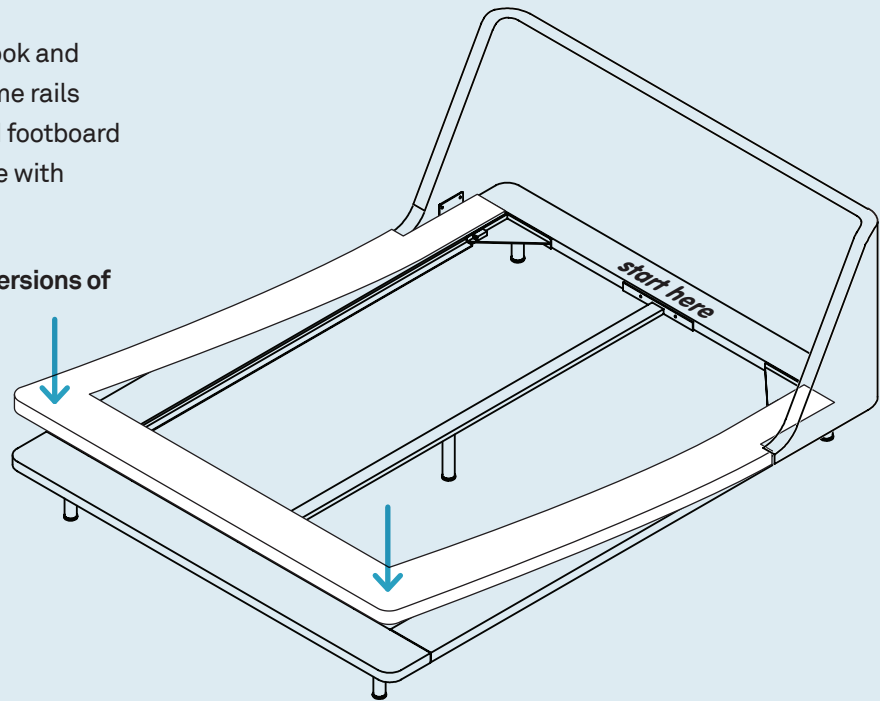
			
PT. 3001 x 26	PT. 3002 x 26	PT. 1604 x 26	PT. 9016 x 1

## Step 04

### ATTACH SLIP COVER.

Starting at headboard, secure hook and loop fasteners between side frame rails and headboard. Continue toward footboard keeping edges smooth and in line with frame edges.

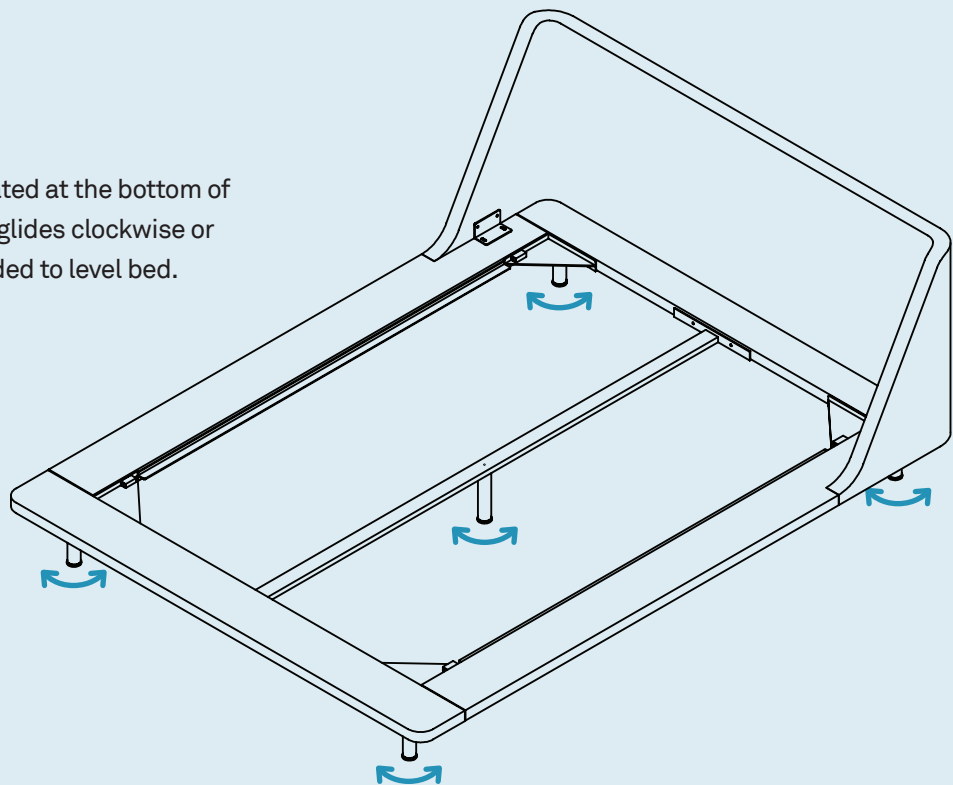
**Note:** Skip this step for leather versions of this bed.



## Step 05

### ENSURE BED IS LEVEL.

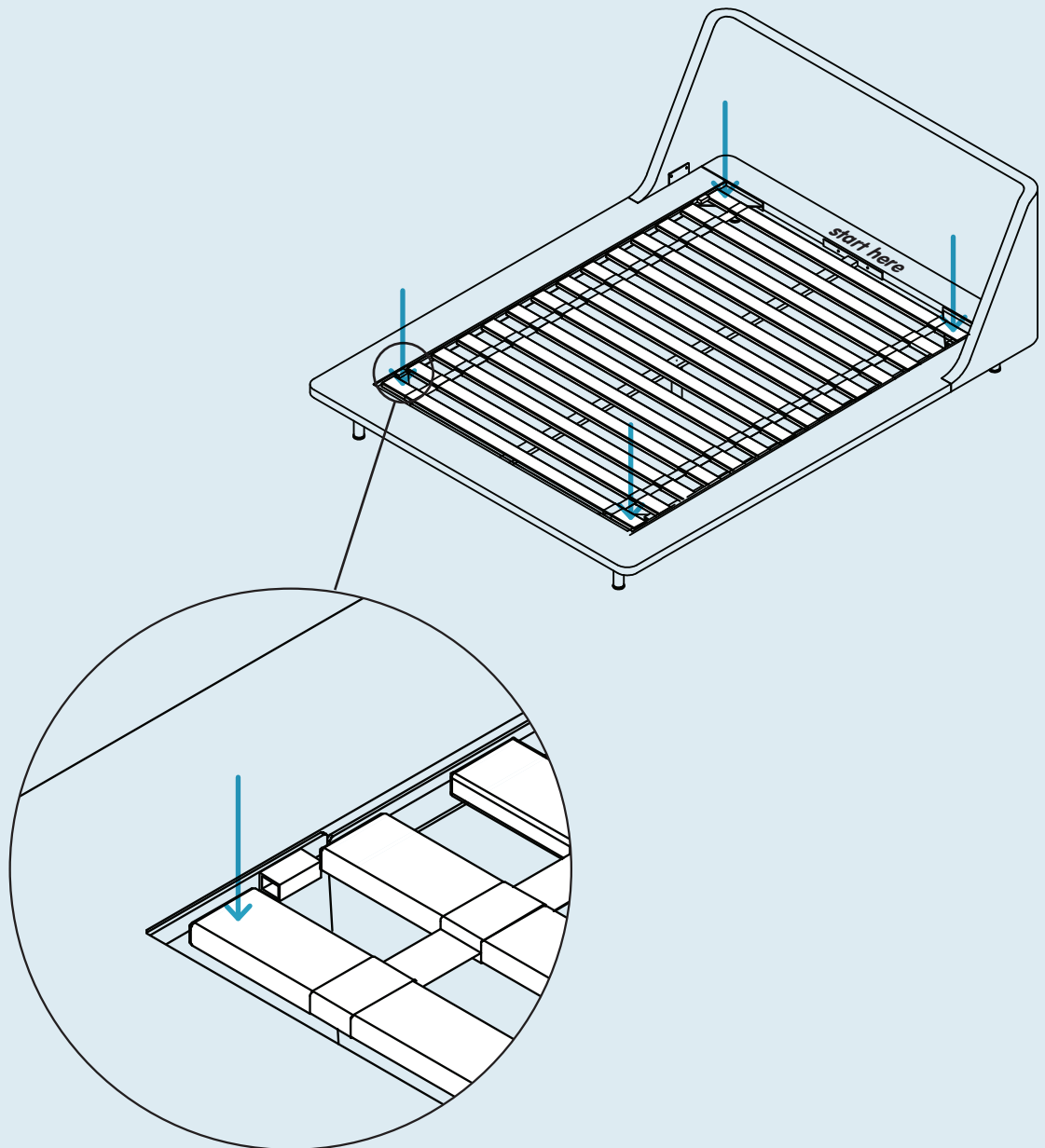
Adjustable glides are located at the bottom of each leg. Turn adjustable glides clockwise or counterclockwise as needed to level bed.



# Step 06

## INSTALL SLATS.

Starting at the headboard, unroll slats along frame. Ensure first and last slat are secured by metal blocking.



## Additional Information

### **CLEAN**

Vacuum your upholstery regularly. Dust leather surfaces regularly with a dry cloth.

### **SPILLS**

Act quickly with spills. Absorb the spill with a clean white cloth or paper towel. Never rub the surface. Do not use water or other liquids to clean, as they may stain the fabric. Consult a commercial cleaning specialist for removal of stubborn stains.

### **AVOID**

Keep upholstery, felt, and leather furniture out of direct sunlight and away from heat sources; excessive exposure to sunlight may fade the color of the upholstery. Avoid placing heavy or sharp objects on the furniture surface for long periods of time; this can cause permanent indentations in the fabric. For snags in the fabric, tuck loose threads into fabric or carefully push to reverse side. Never pull out or cut off loose threads.

